

Unattended – UX Products

Simply.
Everywhere.

Verifone[®]

A background graphic consisting of a network of white dots connected by thin white lines, forming a complex web. The dots and lines are more densely packed on the left side and become sparser towards the right. The overall color scheme is a gradient from dark orange on the left to light orange on the right.

UX - Unattended

Markets

- Tickets
- Petro
- Vending
- Parking
- Car Charging
- Tolls



Unattended Differences

Environmental

- Often outside:
 - Rain, Wind, Dust
 - Temperature extremes
 - Gas / Petrol fumes
- May not be mains powered:
 - Solar
 - 12v / 24v DC power
- Components in bigger systems:
 - Connectivity

Requirements

- IP35 – IP65
- IK08 – IK09
- -30°C to +70 °C
- ATEX certified
- Low power, deep sleep, wake from sleep
- Flexible power supply
- EVA compatible mounting
- Ethernet, USB, Serial, MDB



A background graphic featuring a network of interconnected nodes and lines, resembling a globe or a complex web, set against a gradient of orange and light beige. The nodes are represented by small circles, and the lines are thin, connecting the nodes in a dense, spherical pattern.

Unattended: The Products

UX Product range

Modular Components:



UX410



UX115



UX300 / UX301



UX400 / UX401



UX110



UX100



UX Combinations

Overview

The UX family can be mixed and matched depending on customer requirements.

Each device has an installation guide which details how to install it and includes details for all optional scenarios.

Some common combinations:

Control Unit	Contactless	Keypad
UX300		UX100 or UX110
UX300	UX400	UX100 or UX110
UX301		Ux100 or UX110
UX301	UX401	Ux100 or UX110
UX410		



UX300

Controller, Contact and Mag Card Reader

- Tamper-resistant design features anti-vandalism enclosure
- Weatherproof enclosure provides IP34 protection
- Shutter to prevent foreign body insertion
- Designed to easily integrate into existing environments and compatible with many POS host protocols, like ESAI, iECR, ZVT, XPI, VIPA and more
- Allows flexible configuration settings with UX 100, UX 110 and UX 400
- Proven hybrid card reader technology ensures easy customer guidance
- Wide card slot for easy user acceptance



UX300



Consider the UX 300 card reader/controller your new, most dependable employee. This versatile, self-service solution provides secure and reliable transactions for vending machines, public transportation and other unattended, high-transaction-volume environments. Programmed to read most bank cards, chip cards and magstripe cards, the UX 300 hybrid card reader works alone or in combination with UX Series PIN pad and NFC reader options to add more functionality to your self-service environments.

- Tamper-resistant design features anti-vandalism enclosure that can withstand an impact of up to 10 Joules
- Weatherproof enclosure provides top-level protection against dust, liquids and other harmful substances, withstanding IP34
- Shutter to prevent foreign body insertion
- Designed to easily integrate into existing environments and compatible with many POS host protocols, like ESAI, iECR, ZVT, XPI, VIPA and more
- Allows flexible configuration settings with UX 100, UX 110 and UX 400
- Proven hybrid card reader technology ensures easy customer guidance
- Wide card slot for easy user acceptance

Specifications

<p>Processor 400 MHz, ARM11 32-bit RISC</p>	<p>Contactless Optional with UX 400</p>	<p>Security PCI PTS 5.X-approved</p>
<p>Memory 384 MB (256 MB Flash, 128 MB SDRAM)</p>	<p>Connectivity 100 Mbit LAN, USB-Slave, RS-232; optional: MDB, RS-485, GPRS, PSTN, ISDN, 4X USB-Master, 2nd LAN</p>	<p>Power Supply 12 VDC power supply, optional 9 VDC-42 VDC, 2 power-saving modes</p>
<p>Display Optional with UX 100</p>	<p>Other Standard Features 2 SAM slots, 3 control LEDs, buzzer, real-time clock</p>	<p>Physical 150 mm L × 96 mm W × 71 mm H (5.91 in. L × 3.78 in. W × 2.8 in. H)</p>
<p>Operating System Embedded Linux with Verifone security enhancements</p>	<p>Environmental -20° to 70° C (-4° to 158° F) operating temperature, -25° to 70° C (-13° to 158° F) storage temperature, 10% to 90% relative humidity, non-condensing</p>	<p>Mechanics (cutout) 73.2 mm × 61.2 mm (2.88 in. × 2.41 in.)</p>
<p>Card Readers Hybrid, triple track MSR, landed smart card, EMVCo approved</p>		

UX301

Card Reader / Controller

- Updated, Compact enclosure
- Tamper-resistant design features anti-vandalism enclosure
- Weatherproof enclosure provides IP34 protection
- Shutter to prevent foreign body insertion
- Designed to easily integrate into existing environments and compatible with many POS host protocols, like ESAI, iECR, ZVT, XPI, VIPA and more
- Allows flexible configuration settings with UX 100, UX 110 and UX 400
- Proven hybrid card reader technology ensures easy customer guidance
- Wide card slot for easy user acceptance



UX301



Consider the UX 301 card reader/controller your new, most dependable employee. This versatile, self-service solution provides secure and reliable transactions for vending machines, public transportation and other unattended, high-transaction-volume environments. Designed to fit in the smallest environments to meet highest customer expectation, the UX 301 hybrid card reader works alone or in combination with UX Series PIN pad and NFC reader options to add more functionality to your self-service environments.

- Extreme short depth with shifted ports to ensure trouble-free wiring
- Tamper-resistant design features anti-vandalism enclosure that can withstand an impact of up to 10 Joules
- Weatherproof enclosure provides top-level protection against dust, liquids and other harmful substances, withstanding IP34
- Shutter to prevent foreign body insertion
- Designed to easily integrate into existing environments and compatible with many POS host protocols, like ESAI, iECR, ZVT, XPI, VIPA and more
- Allows flexible configuration settings with UX 100, UX 110 and UX 401
- Wide card slot for easy user acceptance

Specifications

Processor

400 MHz, ARM11 32-bit RISC

Memory

384 MB (256 MB Flash, 128 MB SDRAM)

Display

Optional with UX 100

Operating System

Embedded Linux with Verifone security enhancements

Card Readers

Hybrid, triple track MSR, landed smart card, EMVCo approved

Contactless

Optional with UX 401

Connectivity

100 Mbit LAN, USB-Slave, USB-Master, RS-232;
optional: MDB

Other Standard Features

3 SAM slots, 3 control LEDs, buzzer, real-time clock

Environmental

-30° to 70° C (-22° to 158° F) operating temperature, -30° to 70° C (-22° to 158° F) storage temperature, 10% to 90% relative humidity, non-condensing

Security

PCI PTS 5.X-approved

Power Supply

9 VDC-42 VDC, 2 power-saving modes

Physical

102 mm L × 97 mm W × 67 mm H
(4.72 in. L × 3.8 in. W × 2.64 in. H)

Mechanics (cutout)

73.2 mm × 61.2 mm (2.88 in. × 2.41 in.)

UX400 / UX401

Contactless Card Readers

- Anti-vandalism enclosure, can withstand an impact of up to 10 Joules
- Weatherproof enclosure provides top-level protection against dust, liquids and other harmful substances, withstanding IP65
- Optical guidance by four LEDs
- System wake-up upon card tap
- Illuminating contactless logo
- No specific software is required on UX 400/UX 401; everything is driven by UX 300/UX 301 controller



- Note:
 - UX400 is tuned for use with UX300
 - UX401 is tuned for use with UX301



UX400 - 401

Contactless transactions are where the world is heading. Depend on the UX 400/UX 401 contactless solution to be ready for NFC-enabled payments, quick-identification confirmation or other contactless transactions at unattended, high-transaction-volume environments, such as on-street parking meters, petroleum pumps and ticketing machines. From mobile wallets to the wave of a card, the UX 400/UX 401 satisfies the need for secure and rapid contactless transactions.

- Anti-vandalism enclosure that can withstand an impact of up to 10 Joules
- Weatherproof enclosure provides top-level protection against dust, liquids and other harmful substances, withstanding IP65
- Optical guidance by four LEDs
- System wake-up upon card tap
- Illuminating contactless logo
- Maintenance-free device and outdoor-rugged peripheral wrapped into one sleek, modern design
- No specific software is required on UX 400/UX 401; everything is driven by UX 300/UX 301 master

Specifications

Connectivity

Analog and digital signal

UX 400 connects to UX 300 UX 401 connects to UX 301

Contactless

ISO 14443 Types A and B, ISO 18092- capable, MIFARE, supports major NFC/ CTLS schemes

Security

PCI PTS 5.X-approved, SRED, meets EMV L1 and L2 requirements when connected to UX 300/UX 301

Environmental

-30° to 70° C (-22° to 158° F) operating temperature, -30° to 70° C (-22° to 158° F) storage temperature, 10% to 90% relative humidity, non-condensing

Physical

100 mm L × 27 mm W × 92 mm H (3.94 in. L × 1.06 in. W × 3.62 in. H)

Mechanics (cutout)

73.2 mm × 61.2 mm (2.88 in. × 2.41 in.)

UX100 & UX110

Keypad with optional screen

- Durable, metal front plate and weatherproof enclosure provide top-level protection against dust, liquids and other harmful substances withstanding IP65
- Anti-vandalism enclosure can withstand an impact up to 10 Joules (IK09)
- High contrast and readability within low temperatures and direct sunlight (UX 100 only)
- Fast and painless installation, thanks to plug-and-play functionality and standard USB connection

UX110



UX100



UX100



Take your unattended transactions to the next level with the UX 100 PIN pad. This secure module works with other UX devices to meet self-service demands indoors and out. Featuring an LCD screen that helps guide the customer experience, the UX 100 offers high performance and excellent durability. Its weatherproof construction is ideal for off-street parking meters, petroleum pumps, ticketing machines and more. Pair it with the UX 300 card reader to optimize your transaction functionality. Simple to integrate, the UX Series features flexible configuration settings with easy, single-cable connection between devices.

- Durable, metal front plate and weatherproof enclosure provide top-level protection against dust, liquids and other harmful substances withstanding IP65
- High contrast and readability within low temperatures and direct sunlight
- Anti-vandalism enclosure can withstand an impact up to 10 Joules (IK09)
- Fast and painless installation, thanks to plug-and-play functionality and standard USB connection

Specifications

Processor

32-bit RISC

Display

2.5" (128 × 64), white backlit

Keypad

10 + 6 keypad; 10 numeric, 4 colored- embossed function; 2 navigation keys; durability of 2,000,000 presses each

Connectivity

USB B 2.0 full speed

Security

PCI PTS 4.X-approved

Environmental

-20° C to 70° C (-4° F to 158° F) operating temperature, -25° C to 70° C (-13° F to 158° F) 10% to 90% relative humidity, non-condensing

Physical

142 mm L × 108 mm W × 26 mm H (5.59 in. L × 4.25 in. W × 1.02 in. H)

Mechanics (cutout)

120 mm × 82 mm (4.72 in. × 3.23 in.)

UX410

Contactless Card Reader & Controller

- Tamper-resistant and anti-vandalism enclosure that can withstand an impact up to 10 Joules
- Weatherproof enclosure provides top-level protection against dust, liquids and other harmful substances, withstanding IP65
- Intuitive customer guidance by LEDs and illuminating contactless logo, as well as dual tone buzzer
- Sleek, modern design
- Designed to easily integrate into existing environments and compatible with many POS host protocols, like ESAI, iECR, ZVT, XPI, VIPA and more
- Allows contactless transactions with PIN by connecting UX 100 / UX110



UX410

Contactless transactions are where the world is heading. This versatile, self-service solution provides secure and reliable NFC payments for vending machines, on-street parking meters, petroleum pumps and other unattended environments. From mobile wallets to the wave of a card, the UX 410 satisfies the need for secure and rapid contactless transactions.



- Tamper-resistant and anti-vandalism enclosure that can withstand an impact up to 10 Joules
- Weatherproof enclosure provides top-level protection against dust, liquids and other harmful substances, withstanding IP65
- Intuitive customer guidance by LEDs and illuminating contactless logo, as well as dual tone buzzer
- Sleek, modern design
- Designed to easily integrate into existing environments and compatible with many POS host protocols, like ESAI, iECR, ZVT, XPI, VIPA and more
- Allows contactless transactions with PIN by connecting UX 100

Specifications

<p>Processor 400 MHz, ARM11 32-bit RISC</p> <p>Memory 384 MB (256 MB Flash, 128 MB SDRAM)</p> <p>Operating System Embedded Linux with Verifone security enhancements</p> <p>Contactless ISO 14443 Types A and B, ISO 18092- capable, MIFARE, supports major NFC/ CTLS schemes</p> <p>Connectivity LAN 100 Mbit, USB slave, RS-232, 2X USB master</p>	<p>Security PCI PTS 5.X-approved, SRED, meets EMV L1 and L2 requirements</p> <p>PIN Support Optional with UX 100</p> <p>Power Supply 12–24 VDC</p> <p>Environmental Operating temperature: -30° to 70° C (-22° to 158° F); storage temperature: -30° to 80° C (-22° to 176° F); relative humidity: 10% to 90%, non-condensing</p>	<p>Physical Antenna: 80 mm L × 80 mm W × 16 mm H (3.15 in. L × 3.15 in. W × 0.63 in. H) Controller: 100 mm L × 90 mm W × 34 mm H (3.94 in. L × 3.54 in. W × 1.34 in. H)</p> <p>Mechanics (cutout) 73.2 mm × 61.2 mm (2.88 in. × 2.41 in.)</p> <p>Other Standard Features 2 SAM slots, control LEDs, buzzer, real-time clock</p>
---	---	--

UX115

High resolution Colour Display

- Bright, durable, high contrast, colour display that is ideal for indoor or outdoor use.
- Durable, metal front plate and weatherproof enclosure provide top-level protection against dust, liquids and other harmful substances withstanding IP65
- Anti-vandalism enclosure can withstand an impact up to 10 Joules (IK09)
- Multiple connectivity options to allow easy integration.



UX115



The UX115 works with other UX devices to meet self-service demands indoors and out. Featuring a bright, high resolution, color screen that helps guide the customer experience, the UX115 offers high performance and excellent durability. Its weatherproof construction is ideal for off-street parking meters, petroleum pumps, ticketing machines and more. Pair it with the UX300 or UX410 card readers to optimize your transaction functionality.

- High resolution, outdoor readable display for menus, instructions, totals, QR codes or other purposes
- Capable of displaying images or videos
- Durable, metal front plate and weatherproof enclosure provides top-level protection against dust, liquids and other harmful substances withstanding IP65
- Anti-vandalism enclosure can withstand an impact up to ten joules
- High contrast and readability within low temperatures and direct sunlight
- Fast and painless installation, thanks to plug-and-play functionality and standard USB connectivity

Specifications

Processor

400 MHz, ARM11 32-bit RISC

Memory

512 MB Flash, 256 MB SDRAM

Display

3.5" Color 480 x 320 HVGA, Backlit

Operating System

Embedded Linux with Verifone security enhancements

Connectivity

100 Mbit LAN, USB-Client, 2 x USB Host, RS-232;

Other Standard Features

Real-time clock

Environmental

-30° to 70° C (-22° to 158° F) operating temperature,
-35° to 70° C (-31° to 158° F) storage temperature,
10% to 90% relative humidity, non-condensing
IK09, IP65

Power Supply

12-24 VDC power supply

Physical

51.6 mm L × 104.0 mm W × 112.2 mm H
(2.03 in. L × 4.09 in. W × 4.42 in. H)

Mechanics (cutout)

94 mm × 62 mm (3.7 in. × 2.44 in.)

UX300 / UX301 / UX410 / UX700 Connectors

		RS232	LAN	USB Client	USB Host	Power (4 pin)	Power (6 pin)	Power Out	MDB	RS485	SAM
UX300 STD	000	1	1	1	1	9-12v					2
UX300 MDB	010	3	1	1	5	9-12v	9-43v		Y		2
UX300 GPRS	040	2	1	1	5	9-12v	9-43v		Y		2
UX300 Petrol	050	3	1	1	5	9-12v	24v **	24v		1	2
UX300 LAN	060	3	2	1	5	9-12v	9-43v		Y		2
UX300 WPWR	070	1	1	1	1	9-12v	9-43v				2
UX301 STD	000	1	1	1	2		24v **	24v			3
UX301 MDB	010	1	1	1	2		9-43v		Y		3
UX410 STD	000	1	1	1	2		12-24v				2
UX410 MDB	010	1	1	1	2		9-43v		Y		2
UX700	000	3	1	1	3		9-43v	9-43v	Y		3



A background graphic featuring a network of interconnected nodes and lines, resembling a globe or a complex web, set against a gradient of orange and light beige colors.

Unattended: The Part #s

UX300 – part numbers

Controller, Contact and Mag Stripe Card Reader

M159-300-000-EUE-B	UX300 CARD READER, STD, IRAN
M159-300-000-WWA-B	UX300 CARD READER, STD
M159-300-010-WWA-B	UX300 CARD READER, MDB
M159-300-040-LAA-B	UX300 CARD READER, GPRS
M159-300-040-WWA-B	UX300 CARD READER, GPRS
M159-300-050-WWA-B	UX300 CARD READER, PETROL
M159-300-060-WWA-B	UX300 CARD READER, LAN
M159-300-070-WWA-C	UX 300 CARD READER ,WPWR, GVR
M159-300-071-WWA-C	UX 300 CARD READER ,WPWR, GVR



- Note:
 - Connectors on Standard:
 - Com1, LAN, USB Client, USB Host, Power (9-12v in), UX400 Data, UX400 RF, 2x SAM



UX300 – Connectors vs Types

Connectors:

STD	RS232, LAN, USB Client, USB Host, Power (9-12v in), UX400 Data, UX400 RF, 2x SAM
MDB	Standard + MDB (9-43v in), 2x RS232, 4x USB Host
GPRS	Standard + MDB (9-43v in), RS232, 4x USB Host, GPRS Antenna, SIM
PETROL	Standard + Power(24v in, 24v out), 2x RS232, 4x USB Host, RS485
LAN	Standard + MDB (9-43v in), 2x RS232, 4x USB Host, LAN
WPWR	Standard + Power (9-43v in)



UX300 – package contents

Controller, Contact and Mag Stripe Card Reader

Installation Guide:

DOC159-023-EN

Included in a UX300 package:

UX300 Controller

Power EMC Cable: CBL159-308-01-B or CBL159-309-01-B

Grounding Strap: WIR159-302-02-A

Power Supply Options:

12v Plug in PSU: PWR159-002-01-B + (e.g. US) CBL000-080-01-A



UX400 - part numbers

Contactless Card Reader (for UX300)

M159-400-000-EUE	UX400 CTLS CARD READER, IRAN
M159-400-000-WWB	UX400 CTLS CARD READER
M159-400-100-WWB	UX400 CTLS CARD READER, BISCO



- Note:
 - UX400 is tuned for use with UX300
 - UX401 is tuned for use with UX301
 - M159-400-100-WWB this is a version for GVR with a different gasket material (Bisco)

UX400 – package contents

Contactless Card Reader (for UX300)

Installation Guide:

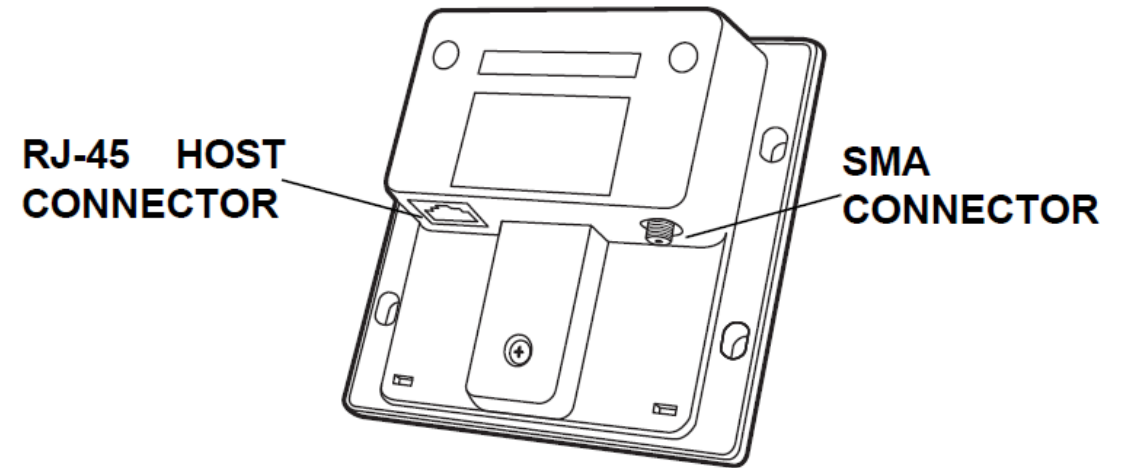
DOC159-033-EN

Included in a UX400 package:

UX400 Antenna

UX300 to UX400 (Comms): CBL159-301-01-A

UX300 to UX400 (RF): CBL159-302-02-A



UX301 – part numbers

Controller, Contact and Mag Stripe Card Reader

M159-301-000-KRA UX301, KRA STD (Korea-KA)

M159-301-000-UKA UX301, UK, STD (United Kingdom-GB)

M159-301-000-WWA UX301, STD (Australia-AU; Canada-CA; Germany-DE; Israel-IL; Italy-IT; New Zealand-NZ; United Kingdom-GB; United States-US)

M159-301-010-WWA UX301, MDB (Australia-AU; Canada-CA; Germany-DE; Italy-IT; New Zealand-NZ; Portugal-PT; Spain-ES; Switzerland-CH;

United Kingdom-GB; United States-US)

M159-301-210-WWA UX301, MDB FMTA (Germany-DE)

- Note:

- M159-301-210-WWA has been tuned to work with M159-401-200-WWC

Connectors vs Types:

STD RS232, LAN, USB Client, 2x USB Host, Power (9-43v in or 24v in & 24v out), UX401 Data, UX401 RF, 3x SAM

MDB RS232, LAN, USB Client, 2x USB Host, Power (9-43v in), UX401 Data, UX401 RF, 3x SAM



UX301 – package contents

Controller, Contact and Mag Stripe Card Reader

Installation Guide:

DOC159-026-EN

Included in UX301 package:

UX301 Controller

Grounding Strap: WIR159-302-02-A

Power Supply Options:

12v Plug in PSU: PWR159-002-01-B + (e.g. US) CBL000-080-01-A



UX401 - part numbers

Contactless Card Reader (for UX301)

M159-401-000-KRC

UX401 KRC CTLS CARD READER

M159-401-000-WWC

UX401 CTLS CARD READER

M159-401-200-WWC

UX 401 FMNT



- Note:
 - UX401 is tuned for use with UX301
 - M159-401-200-WWC is a UX410 front mounted antenna tuned to work with M159-301-210-WWA

UX401 – package contents

Contactless Card Reader (for UX301)

Installation Guide:

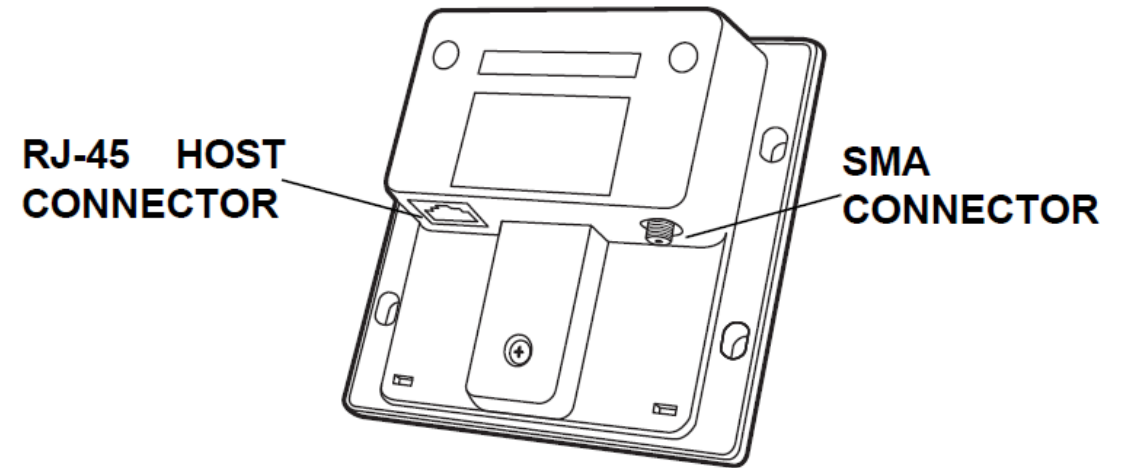
DOC159-036-EN

Included in UX401 package:

UX401 Antenna

UX301 to UX401 (Comms): CBL159-313-02-A

UX301 to UX401 (RF): CBL159-302-03-A



UX100 – part numbers

Keypad with screen

M159-100-00-CAB	UX100 WITH DISPLAY, MSC CANADA KEYPAD
M159-100-00-DEB	UX100 WITH DISPLAY, DEU KEYPAD
M159-100-00-ESB	UX100 WITH DISPLAY, SPAIN KEYPAD
M159-100-00-EUE	UX100 WITH DISPLAY, INTERNATIONAL KEYPAD, IRAN
M159-100-00-FRB	UX100 WITH DISPLAY, FRANCE KEYPAD
M159-100-00-NZB	UX100 WITH DISPLAY, AUS/NZ KEYPAD
M159-100-00-UKB	UX100 WITH DISPLAY, GROSS KEYPAD
M159-100-01-ARB	UX100 WITH DISPLAY, ARABIC KEYPAD
M159-100-01-WWB	UX100 WITH DISPLAY, INTERNATIONAL KEYPAD



UX110 – part numbers

Keypad without screen

M159-110-00-ESB

UX110 WITHOUT DISPLAY, SPAIN KEYPAD

M159-110-00-FRB

UX110 WITHOUT DISPLAY, FRANCE KEYPAD

M159-110-00-UKB

UX110 WITHOUT DISPLAY, GROSS KEYPAD

M159-110-01-WWB

UX110 WITHOUT DISPLAY, INTERNATIONAL KEYPAD FOR SWEDEN,
DENMARK, BALTICS, ICELAND



UX100 & UX110 – package contents

Keypad with or without screen

Installation Guide:

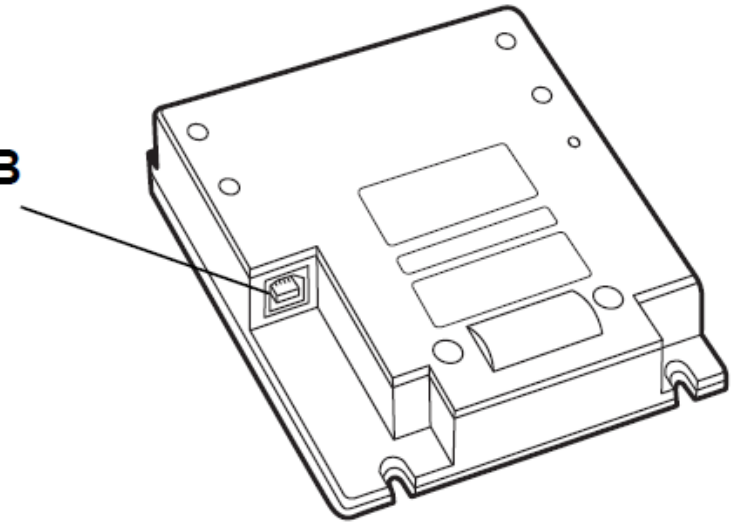
DOC159-003-EN

Included in a UX100 or UX110 package:

UX100 or UX110 keypad

Controller to Keypad (USB): CBL000-045-01-B

**POWERED USB
CONNECTION**



UX410 - part numbers

Controller & Contactless Card Reader

M159-410-000-CAB	UX 410 CTLS PAYMENT TERMINAL, NON METALLIC INTERAC
M159-410-000-CAC	UX 410 CTLS PAYMENT TERMINAL, NON METALLIC, INTERAC
M159-410-000-WWB	UX 410 CTLS PAYMENT TERMINAL, NON METALLIC
M159-410-000-WWC	UX 410 CTLS PAYMENT TERMINAL, NON METALLIC
M159-410-001-APB	UX 410 CTLS PAYMENT TERMINAL, NON METALLIC ASPAC
M159-410-100-CAB	UX 410 CTLS PAYMENT TERMINAL, METALLIC INTERAC
M159-410-100-CAC	UX 410 CTLS PAYMENT TERMINAL, METALLIC, INTERAC
M159-410-100-UTB	UX 410 CTLS ONLY TERMINAL, METAL MOUNT, TEST, GVR
M159-410-100-WWB	UX 410 CTLS PAYMENT TERMINAL, METALLIC, GVR
M159-410-100-WWC	UX 410 CTLS PAYMENT TERMINAL, METALLIC



Notes:

M159-410-0xx are to be mounted on a non metallic enclosure

M159-410-1xx are to be mounted on a metallic enclosure

M159-410-xxx-xxC include an EVA mounting plate (PPL159-417-01-A)

M159-410-xxx-xxB do not include an EVA mounting plate

Interac : All LEDs Green (Canada).

ASPAC : Rainbow LEDs (Blue, Amber, Green and Red)

Global : All LEDs White



UX410 – package contents

Controller & Contactless Card Reader

Installation Guide:

DOC159-039-EN

Included in a UX410 package:

UX410 Controller Module, UX410 Antenna Module

Controller to Antenna (Comms): CBL159-314-01-A

Controller to Antenna (RF): CBL159-302-03-A

Power Supply options:

12v Plug in PSU: PWR159-002-01-B + (e.g. EU) CBL258-001-01-A



Note:

EVA Clamping plate included in some p/n's:

PPL159-417-01-A

A background graphic featuring a network of interconnected nodes and lines, resembling a globe or a complex web, set against a gradient of orange and light beige colors.

Unattended: DevKits

UX300 – Devkit contents - TBC

Controller, Contact and Mag Stripe Card Reader

- UX300: M159-300-010-WWB
- UX300 ARS Kit: MET159-502-01-A
- UX400: M159-400-000-WWB
- UX100: M159-100-01-WWB
- UX100 ARS Kit: MEt159-107-01-A
- PSU: PWR159-002-01-B
- Mains Cables:
 - EU: CBL258-001-01-A
 - US: CBL000-080-01-A
 - UK: CBL258-004-01-A



UX410 – Devkit contents - TBC

Controller, Contact and Mag Stripe Card Reader

- UX410: M159-410-100-WWC
- UX100: M159-100-01-WWB
- UX100 ARS Kit: MEt159-107-01-A
- PSU: PWR159-002-01-B
- Mains Cables:
 - EU: CBL258-001-01-A
 - US: CBL000-080-01-A
 - UK: CBL258-004-01-A



UX115 – Devkit contents - TBC

Controller, Contact and Mag Stripe Card Reader

- UX115: M159-115-000-WWA
- UX115 ARS Kit: MET159-159-01-A
- UX Y Cable: CBL501-001-01-A



UX700 – Devkit contents - TBC

Controller, Contact and Mag Stripe Card Reader

- UX700: M184-700-00-WWA
- LTE Modem: RAD159-003-01-A
- PSU: PWR159-002-01-B
- Mains Cables:
 - EU: CBL258-001-01-A
 - US: CBL000-080-01-A
 - UK: CBL258-004-01-A

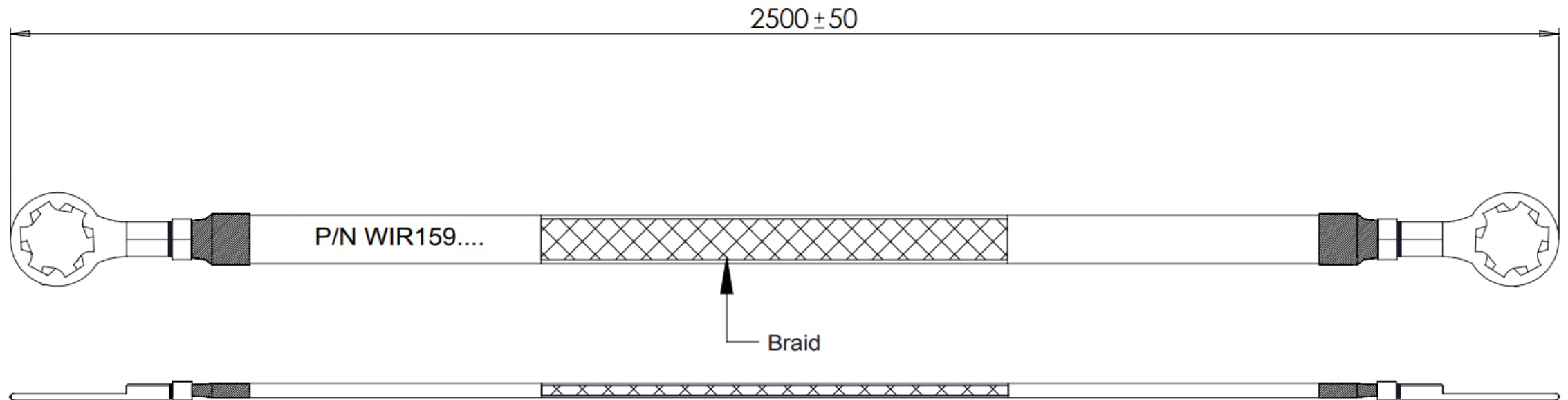


A background graphic featuring a network of interconnected nodes and lines, resembling a globe or a complex data structure, set against a gradient of orange and light beige colors.

Unattended: Cables

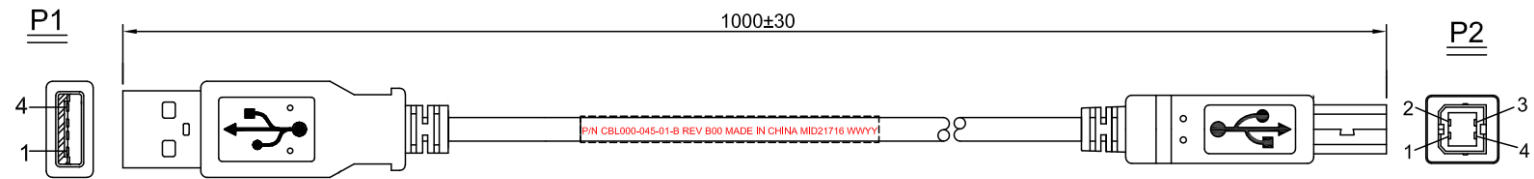
General

- Grounding Strap: WIR159-302-02-A



UX100 & UX110 & UX115

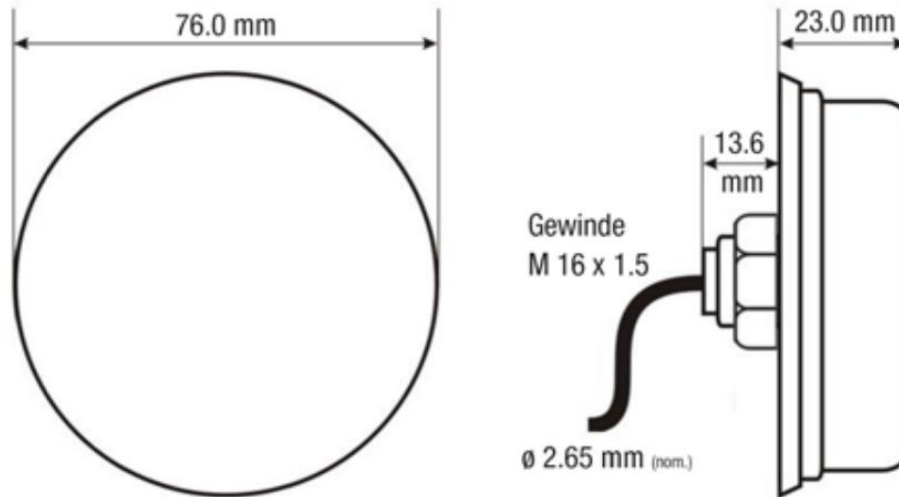
Controller to Keypad (USB): CBL000-045-01-B



UX300

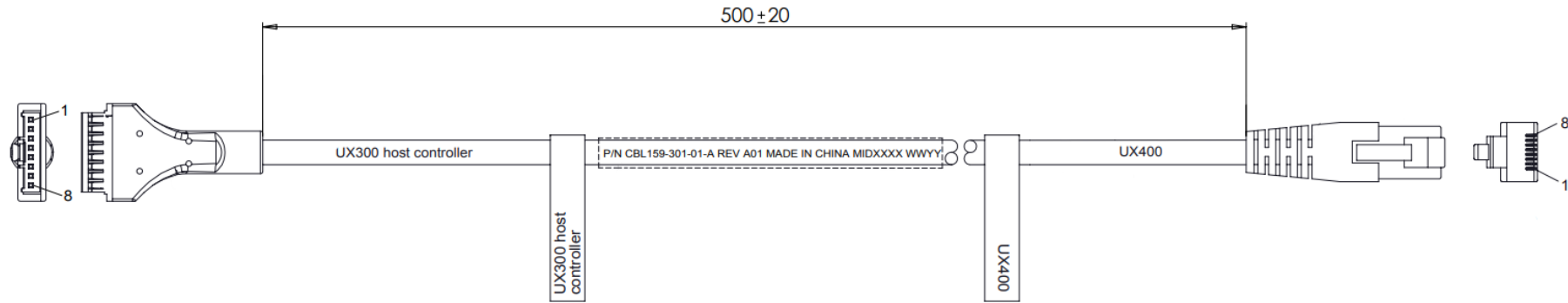
External Antenna GPRS: ANT159-300-01-B

0.6m RG174, FME(f)

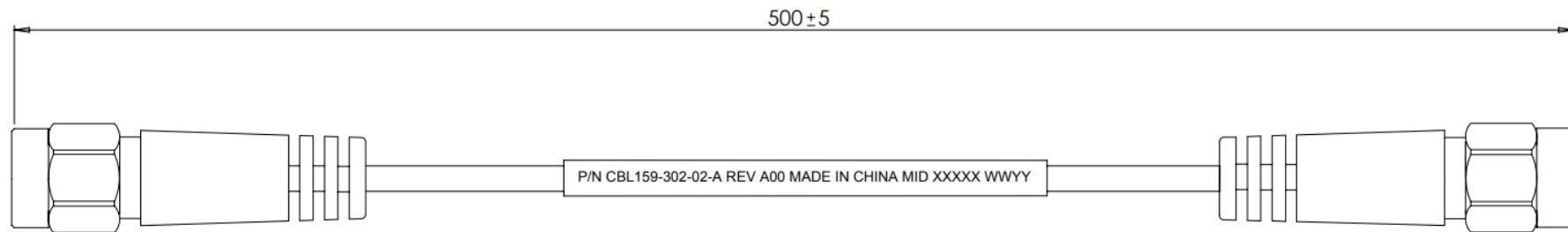


UX30x to UX40x

UX300 to UX400 (Comms): CBL159-301-01-A

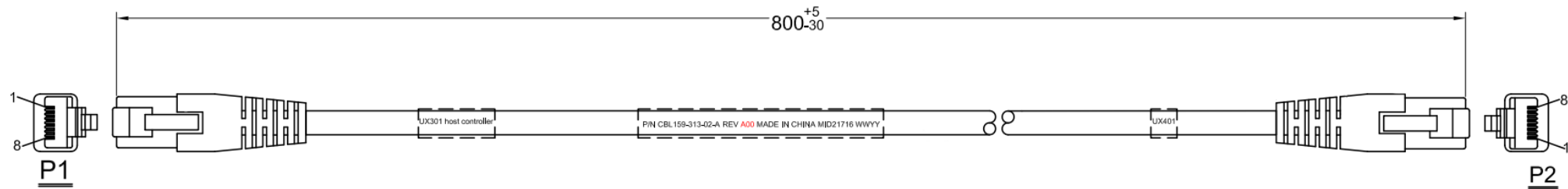


UX300 to UX400 (RF): CBL159-302-02-A

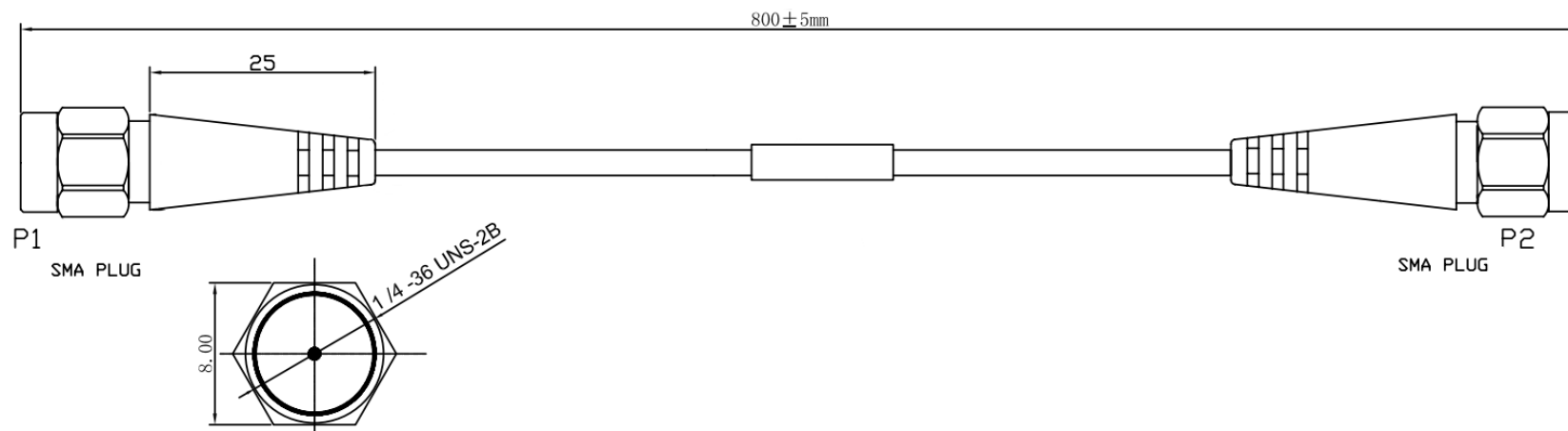


UX401 & UX410

- UX301 to UX401 (Comms): CBL159-313-02-A

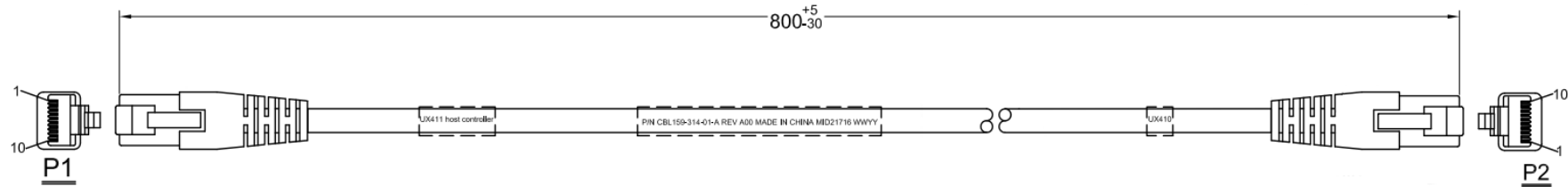


- UX301 to UX401 (RF) & UX410 Controller to Antenna: CBL159-302-03-A



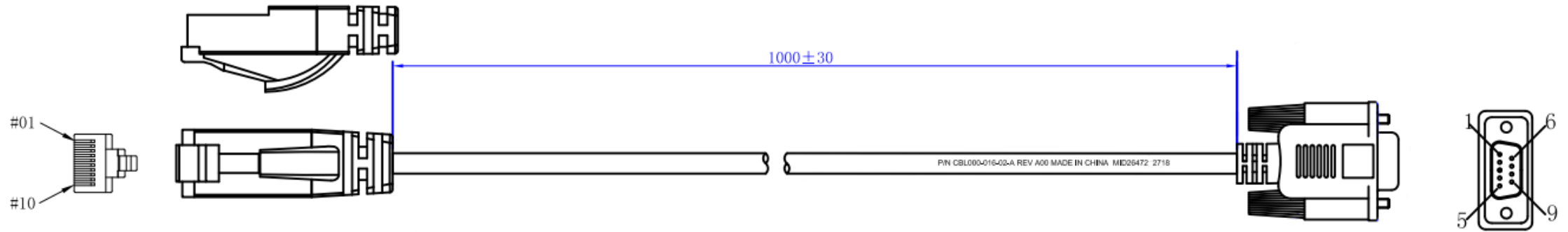
UX410

- Controller to Antenna (Comms): CBL159-314-01-A



General

RJ45 to RS232: CBL000-016-01-A



Power Supplies

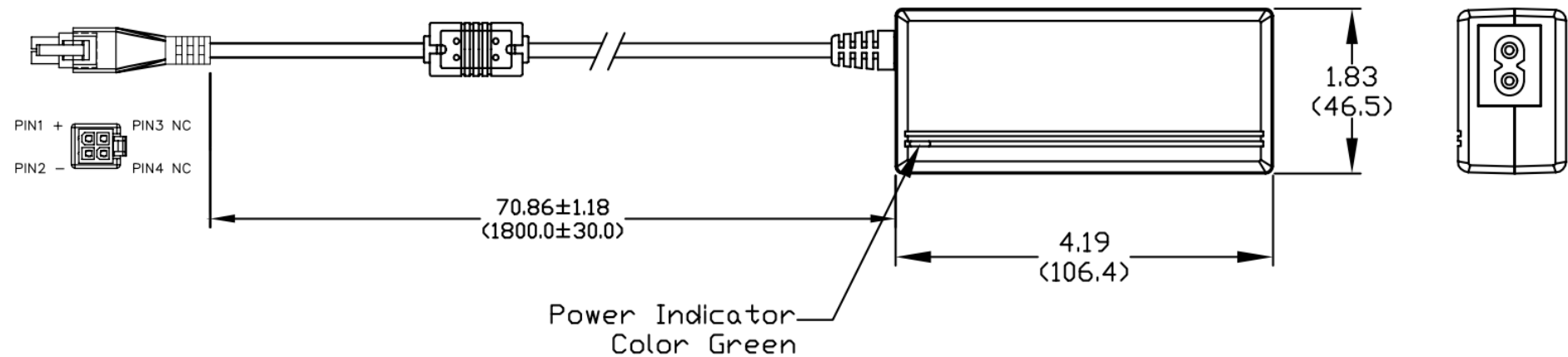
12v Plug in PSU: PWR159-002-01-B

PWR159-002-02-B

Input Voltage: nominal 100-240 Vac, 47-63 Hz

Operating Temperature: 0°C to +40°C

Storage Temperature: -20°C to 70°C

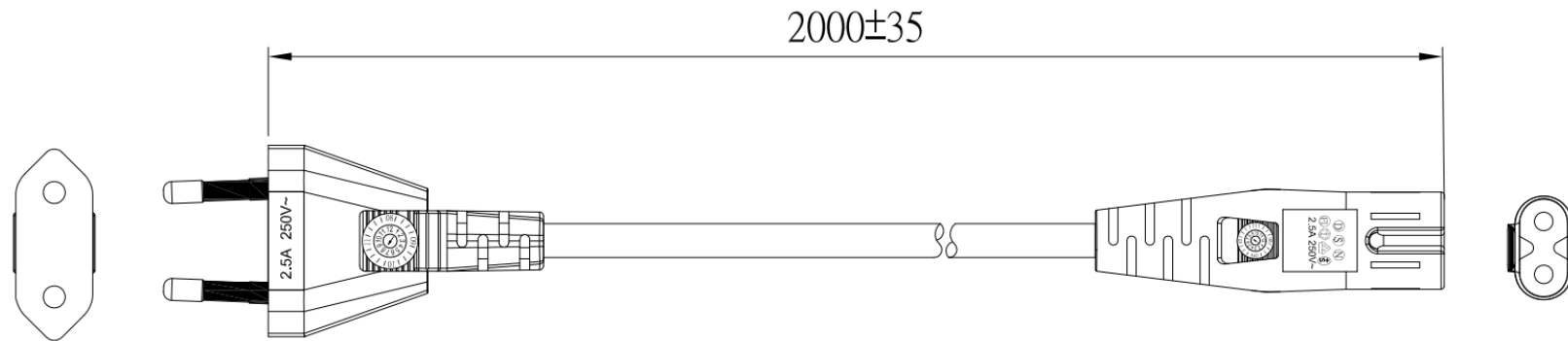


Note: both supplies are actually the same part but the 02-B has additional certification for use in Korea.

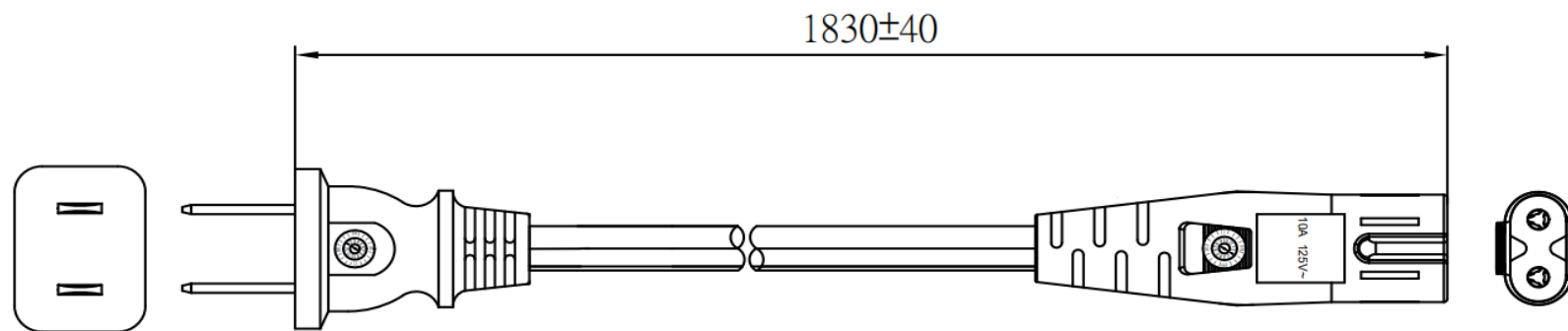


Power Cables - AC

EU Cable: CBL258-001-01-A



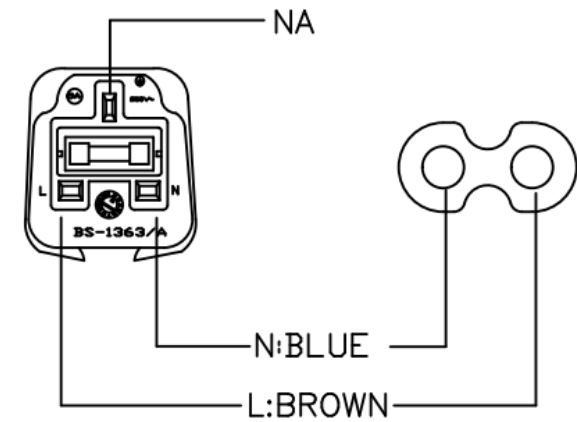
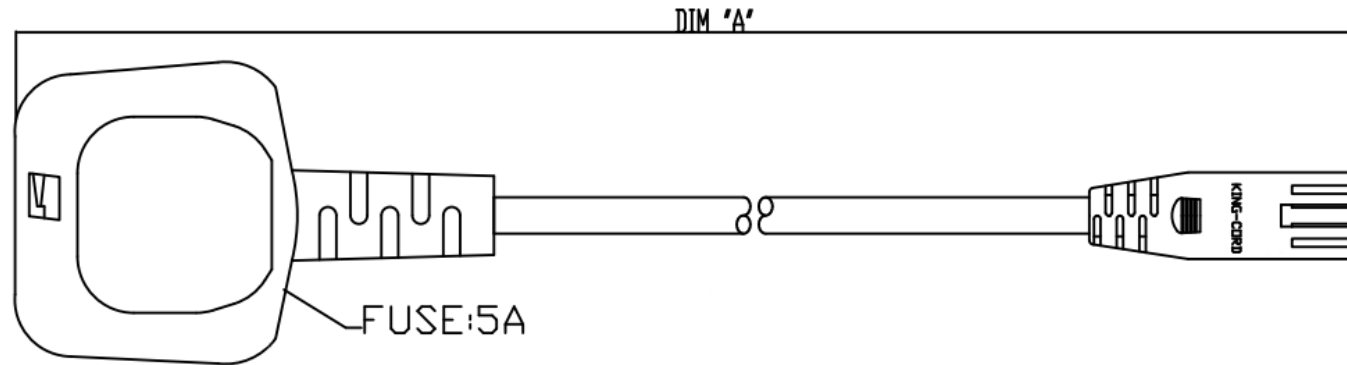
US Cable: CBL000-080-01-B



Power Cables - AC

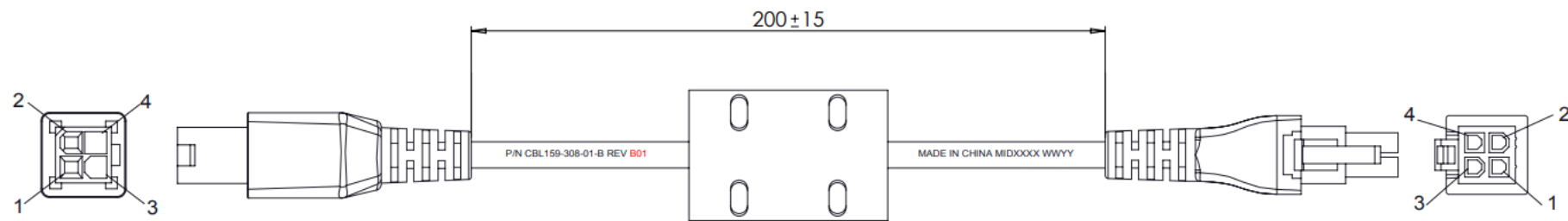
UK Cable: CBL000-078-01-A (1.8m)

CBL000-034-02-A (0.6m)

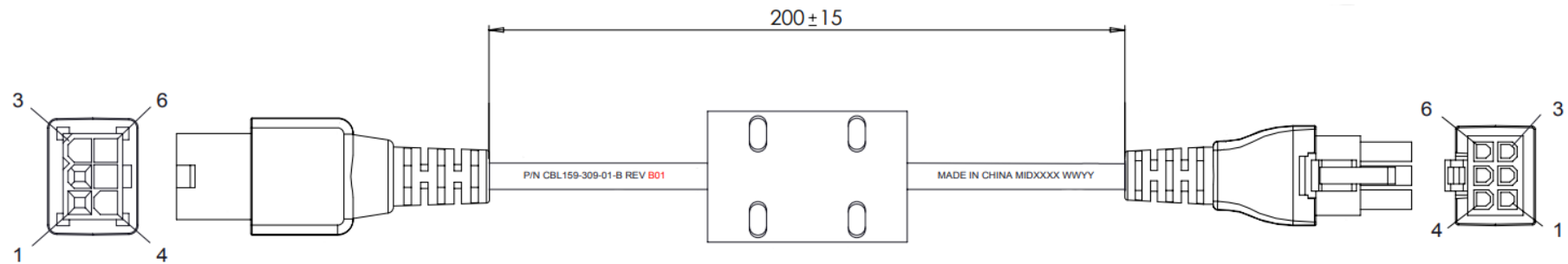


Power Cables - DC

Power EMC Cable: CBL159-308-01-B

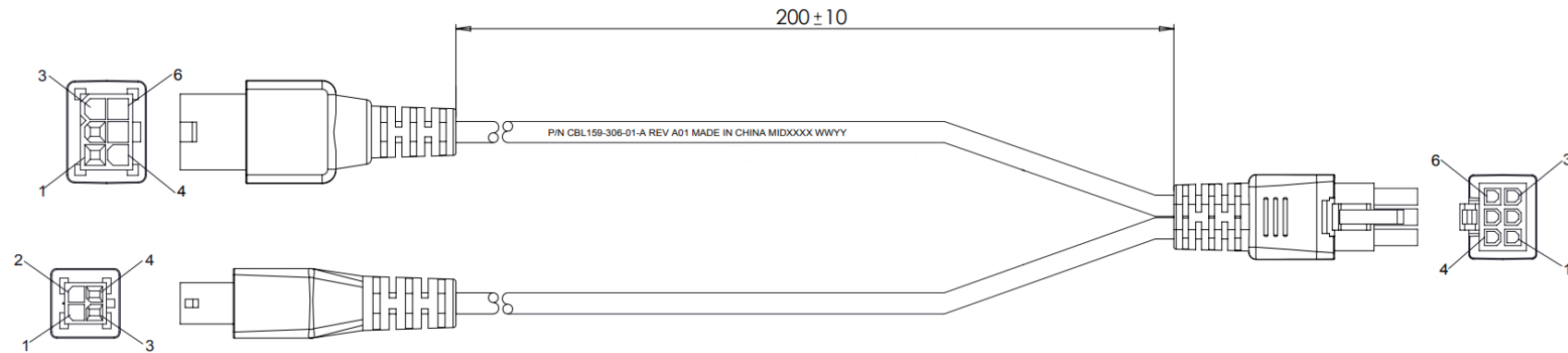


Power EMC Cable: CBL159-309-01-B

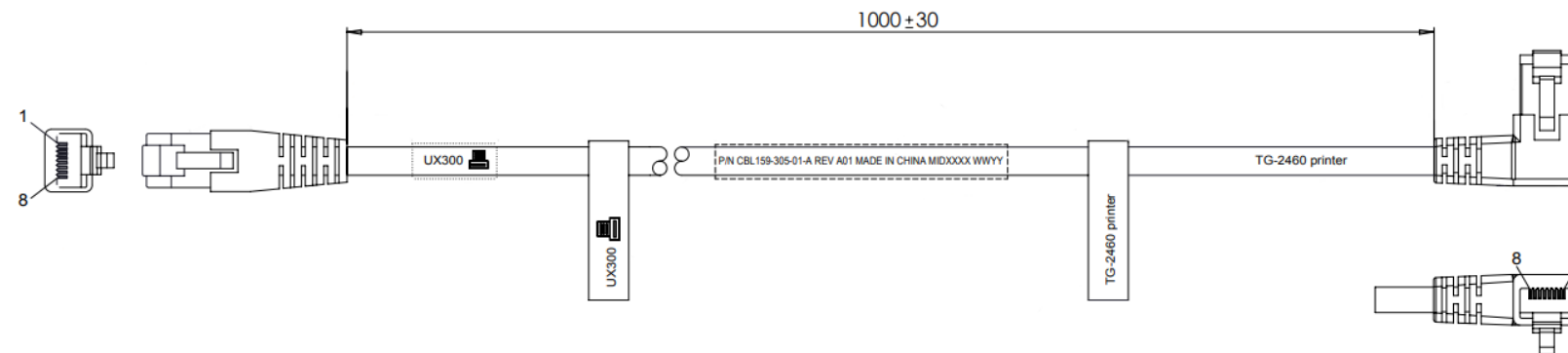


Printer Cables

- Printer Y Cable: CBL159-306-01-A

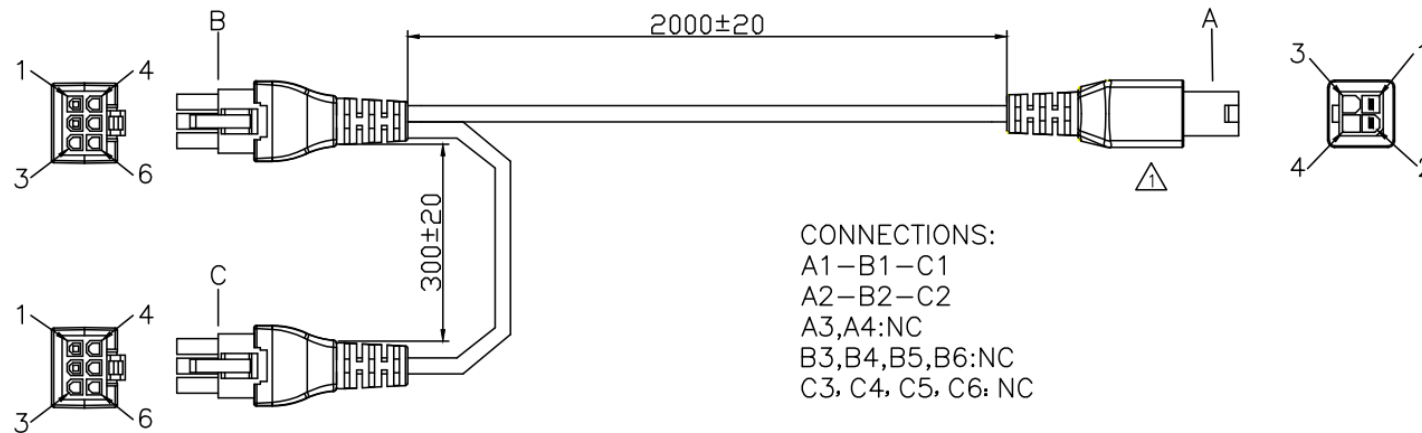


- Data Cable: CBL159-305-01-A

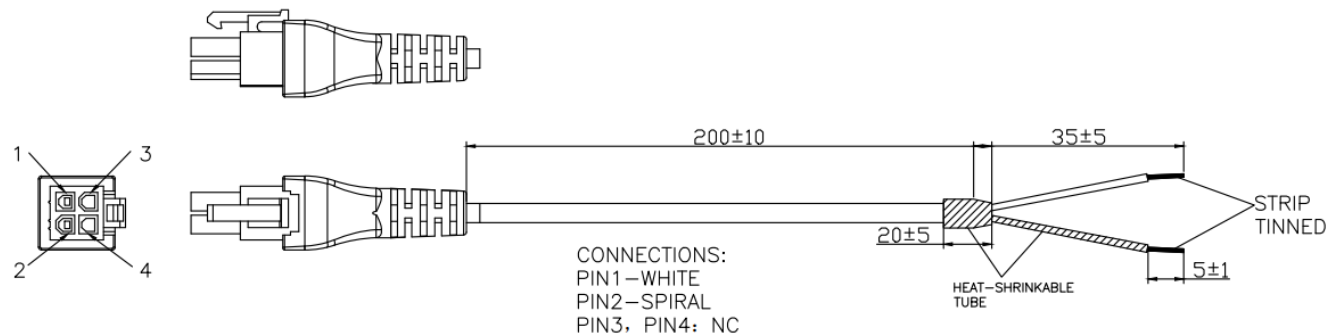


Power Cables

- UX Y Cable: CBL501-001-01-A



- Wire End cable: CBL501-002-01-A

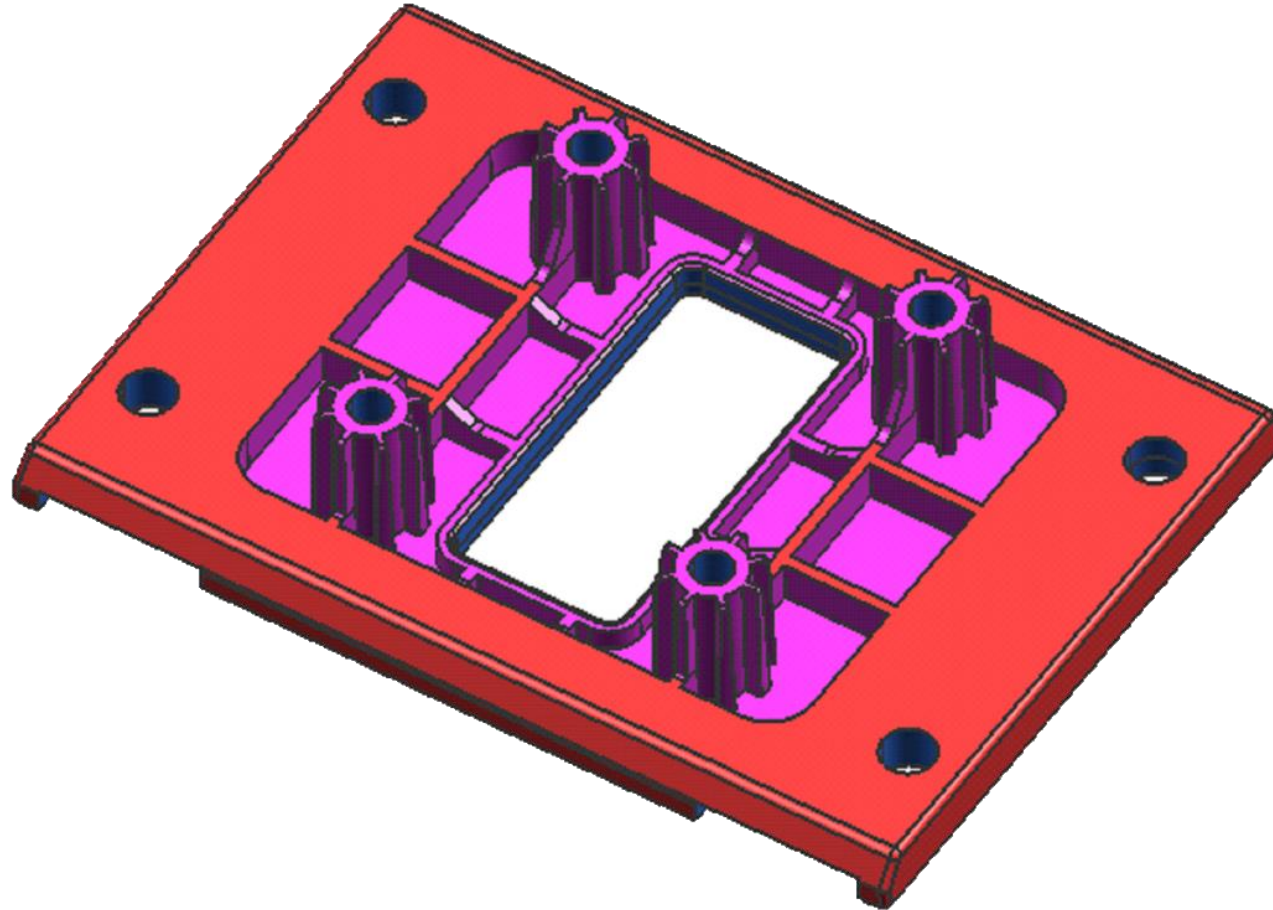


A background graphic consisting of a network of white dots connected by thin white lines, forming a complex web-like structure. The dots and lines are more prominent on the left side and fade out towards the right. The overall background is a gradient of orange, from a darker shade on the left to a lighter shade on the right.

Unattended: Accessories

UX410 Clamping Plate

- PPL159-417-01-A



LTE Modem

- RAD159-003-01-A



Printers

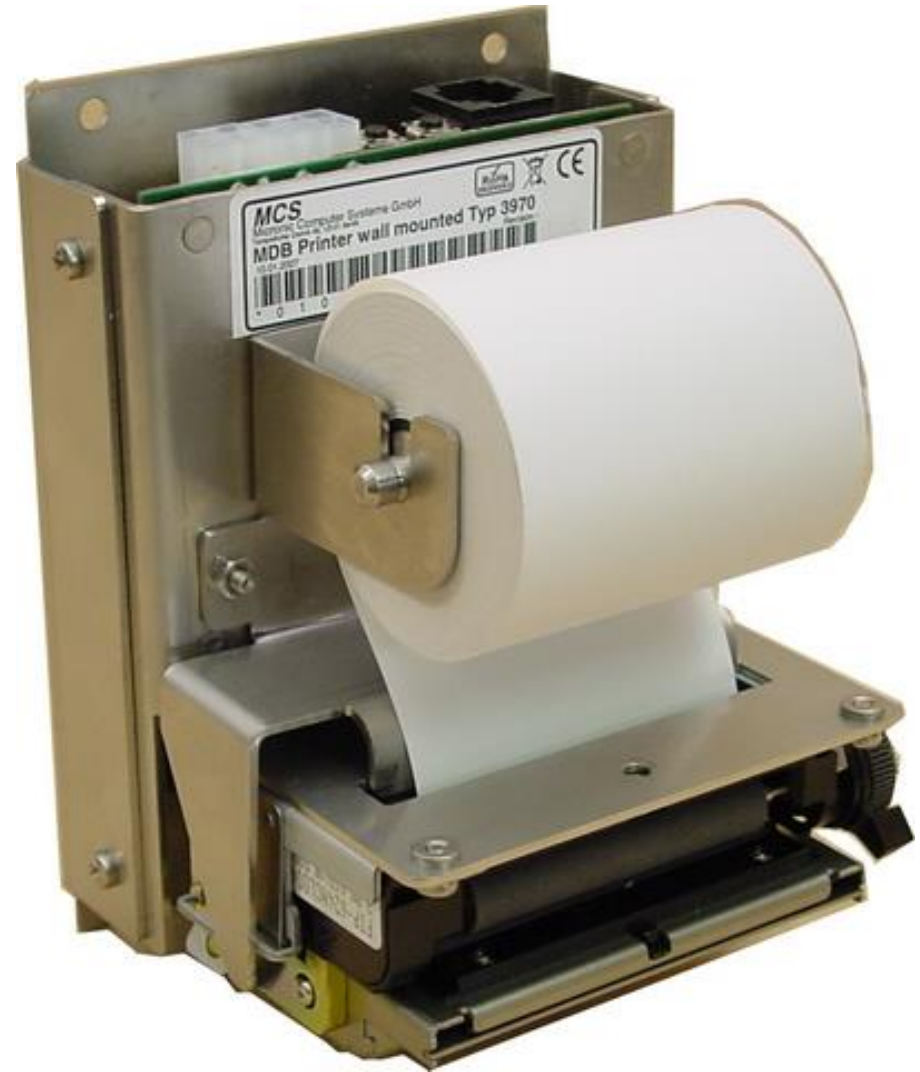
- P013-010-01-R (EOL)
 - Custom TG-2460H
 - TG-2460HIII is the current version



- https://www.custom.biz/en_GB/product/hardware/printers/self-service-kiosk-printers/tg2460hiii-cutter

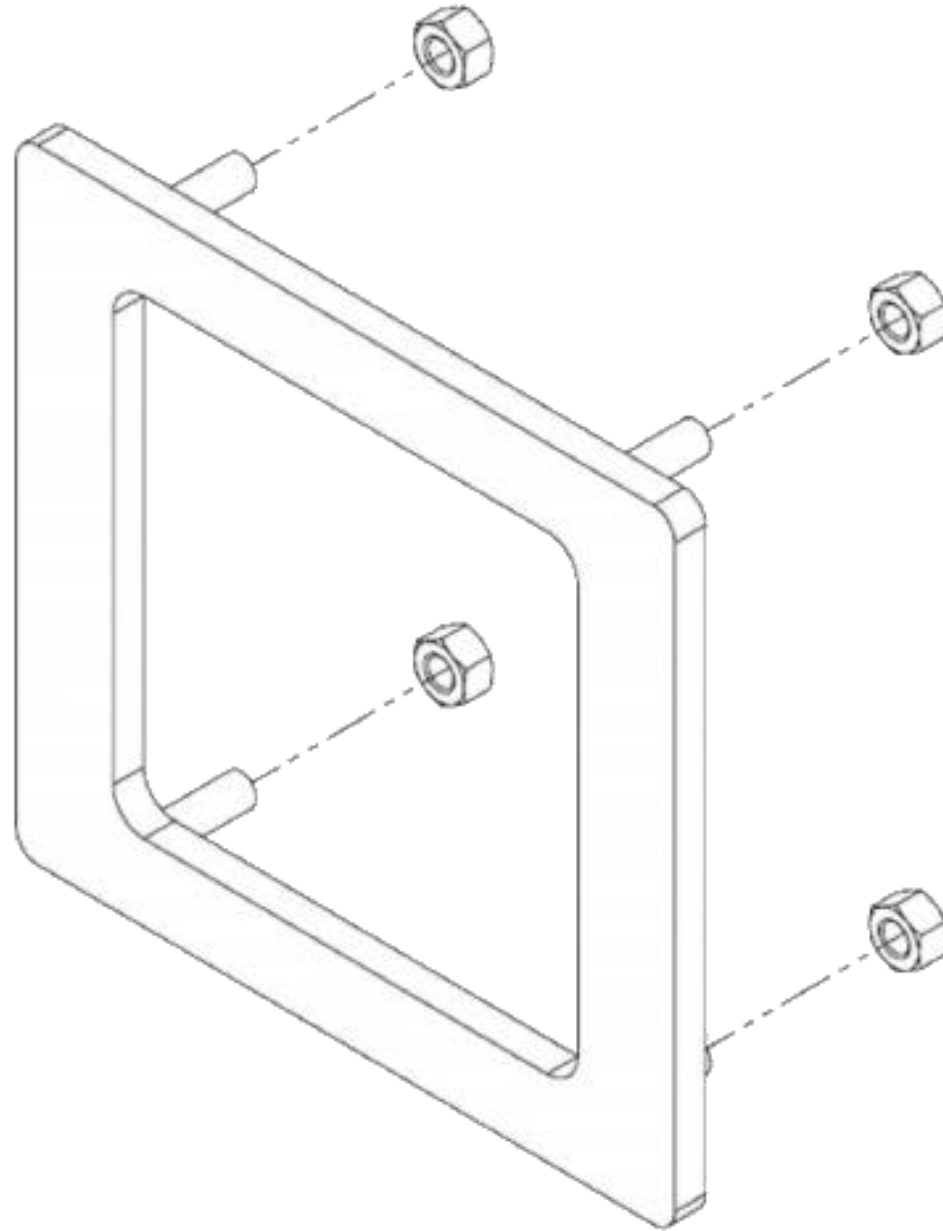
Printers

- FV00018T (OBS)
 - MCS Micronic Type 3991
 - Type 3970 is the replacement for 3991
- <https://www.mcsberlin.de/en/products/printers.html>



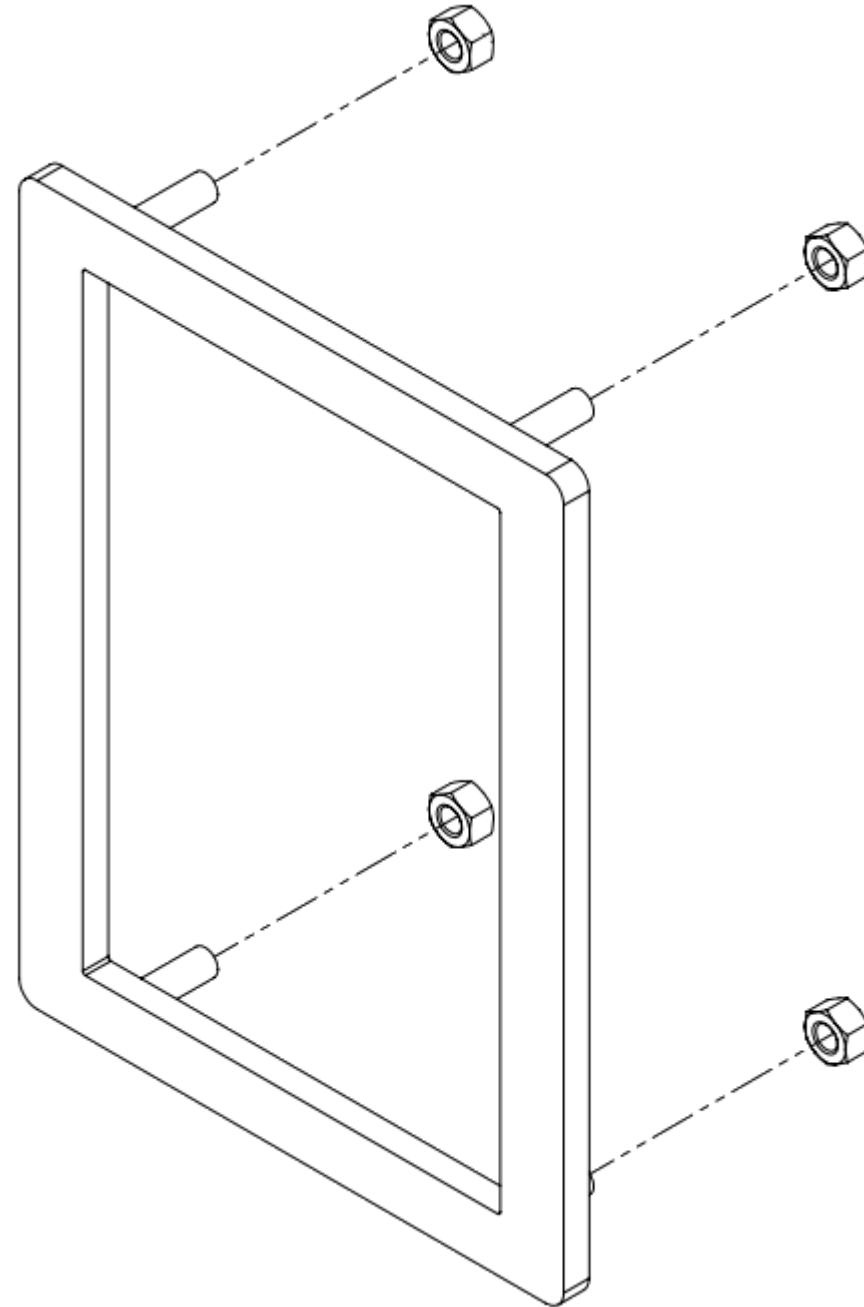
UX300 ARS Kit

- MET159-502-01-A



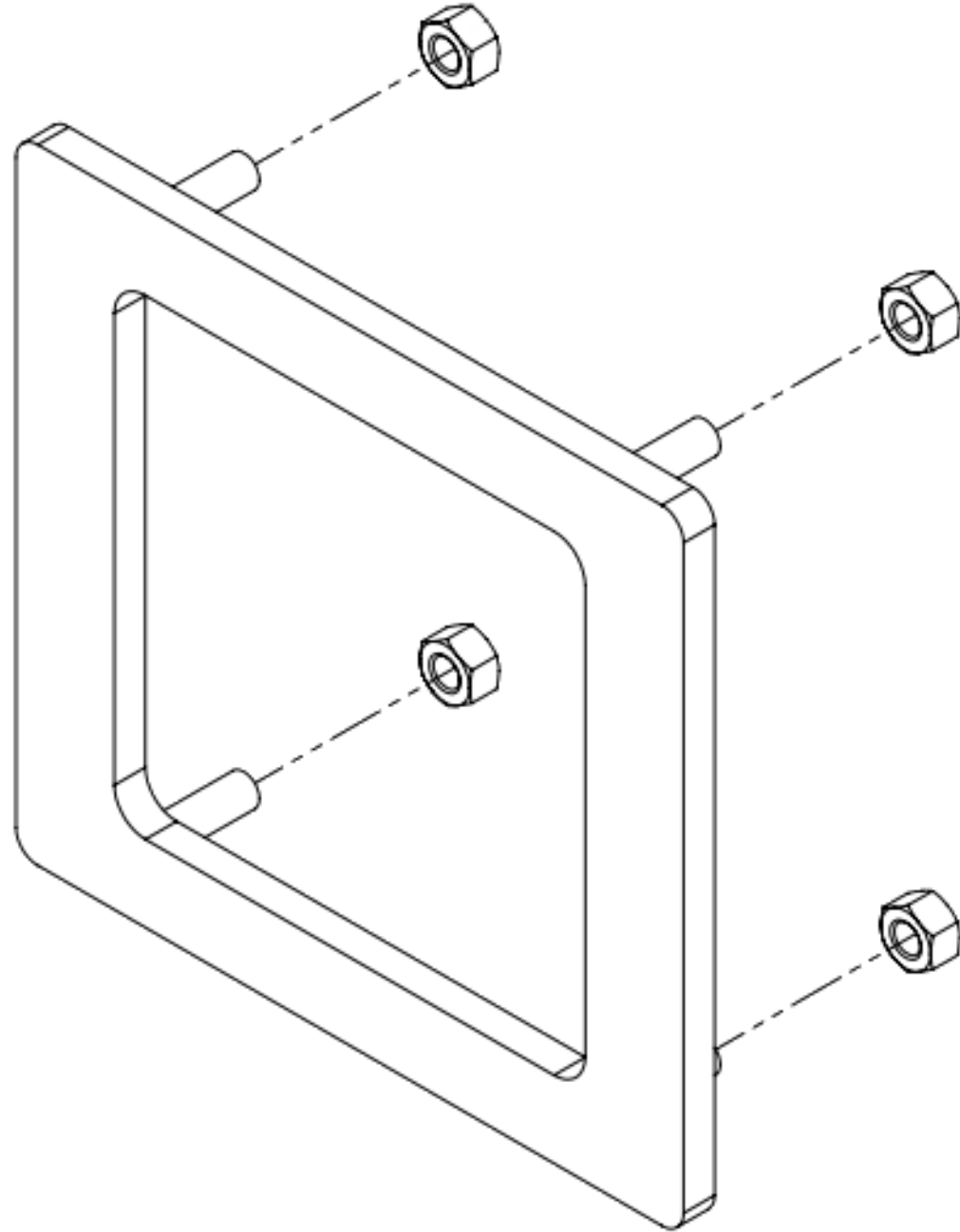
UX100 ARS Kit

- MET159-107-01-A



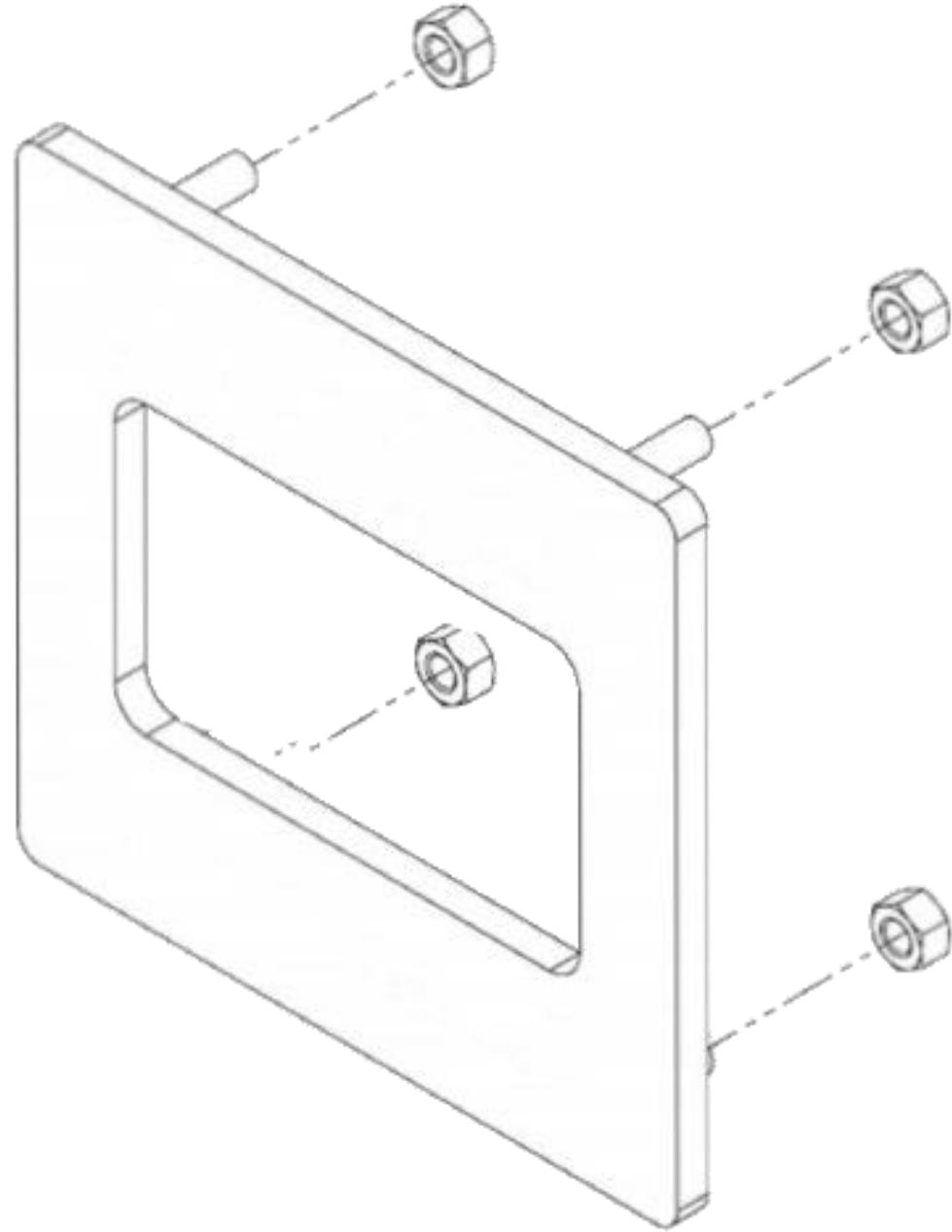
UX110 ARS Kit

- MET159-117-01-A



UX115 ARS Kit

- MET159-159-01-A

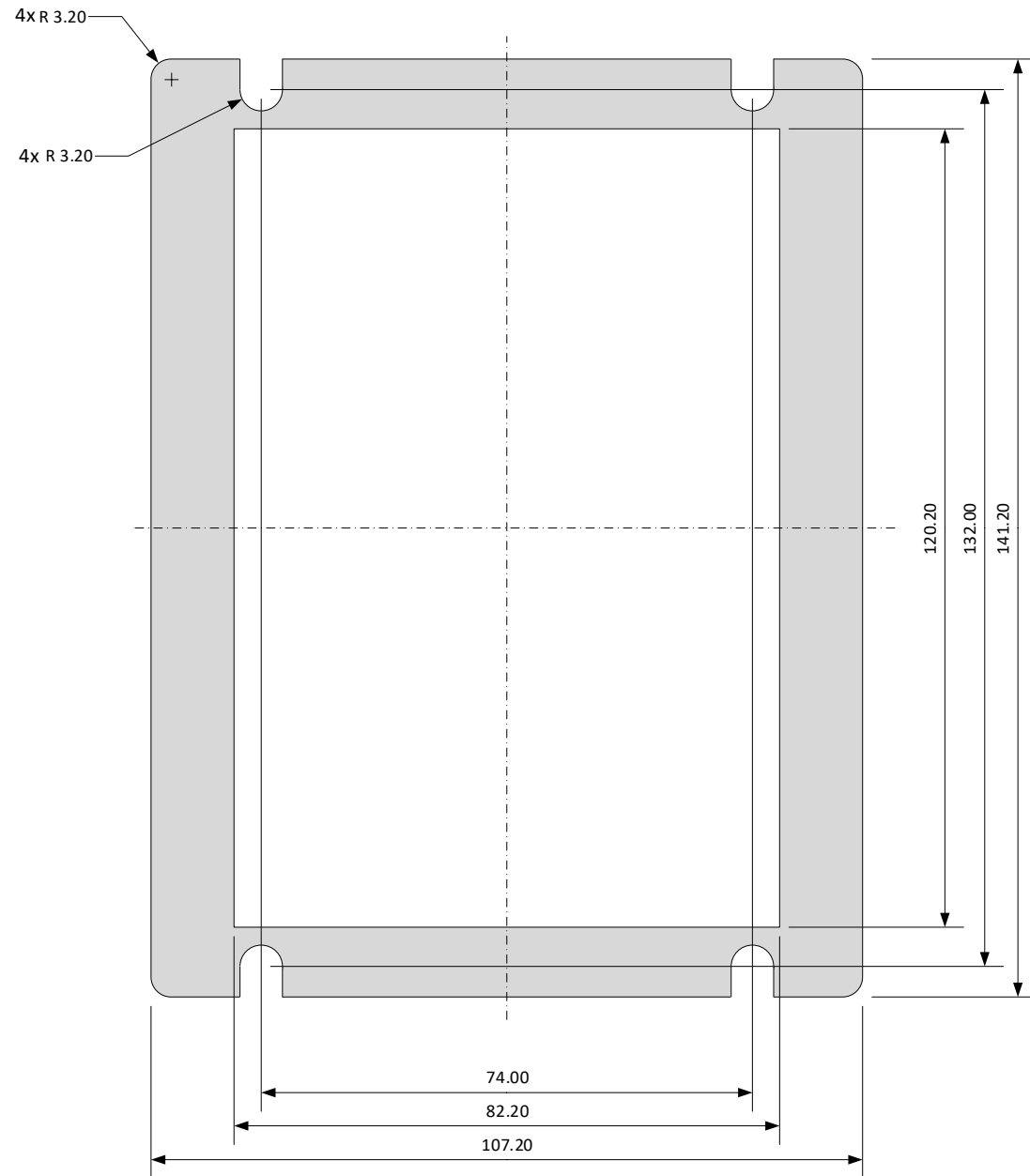


A background graphic featuring a network of interconnected nodes and lines, resembling a globe or a complex data structure, set against a gradient of orange and light beige colors.

Unattended: Mounting

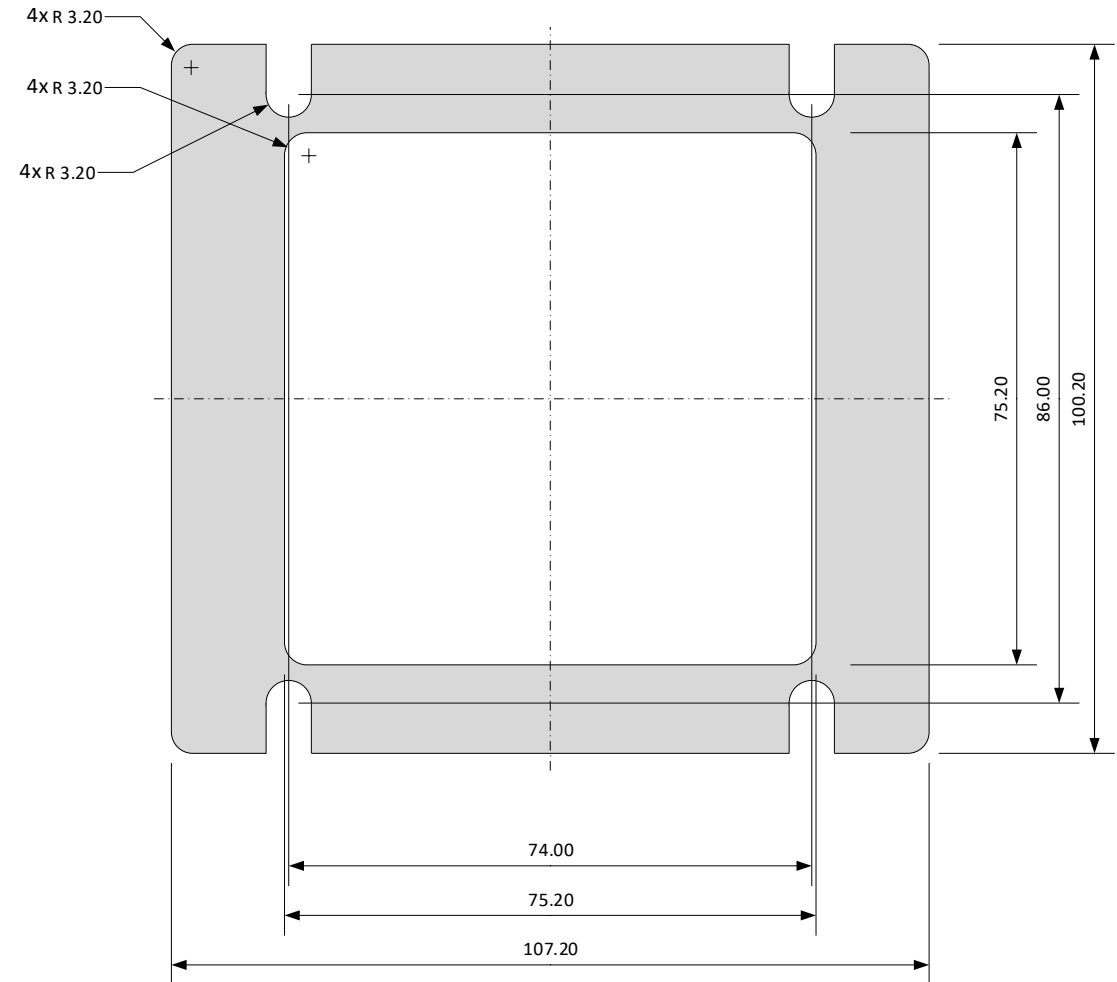
UX100

Front Panel Dimensions



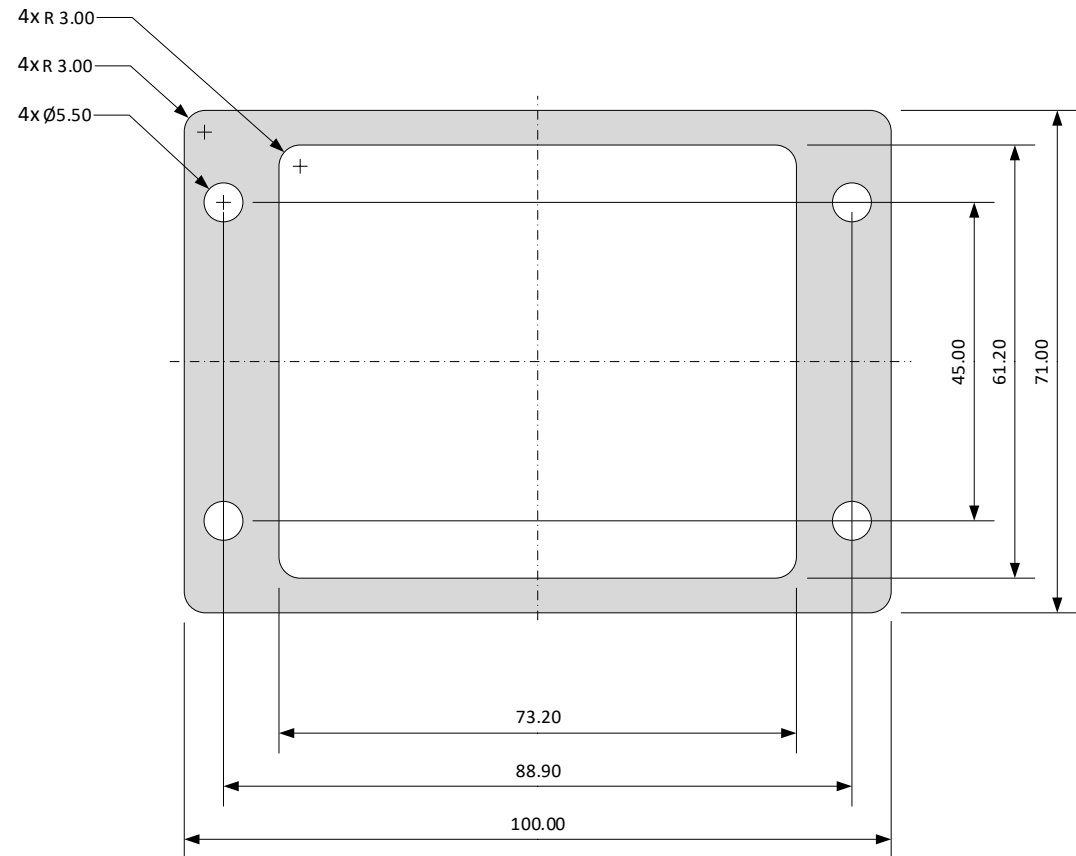
UX110

Front Panel Dimensions



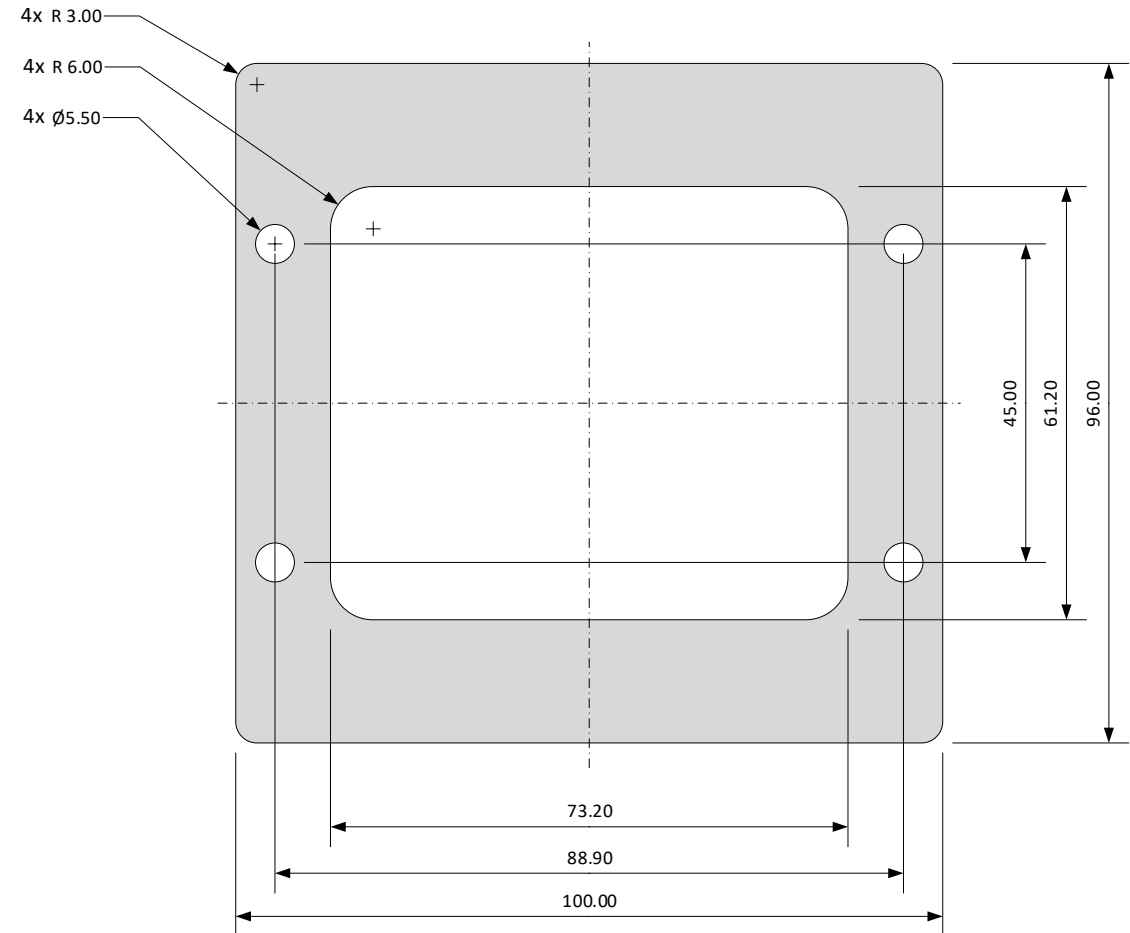
UX30x

Front Panel Dimensions



UX40x

Front Panel Dimensions



A background graphic consisting of a network of white dots connected by thin white lines, forming a complex web-like structure. The dots and lines are more densely packed on the left side and become sparser towards the right. The overall color scheme is a gradient from dark orange on the left to light orange on the right.

Non VFI Accessories

POE

- Injector:
<https://www.trendnet.com/products/PoE/Gigabit-PoE-Injector-TPE-113GI-v3>



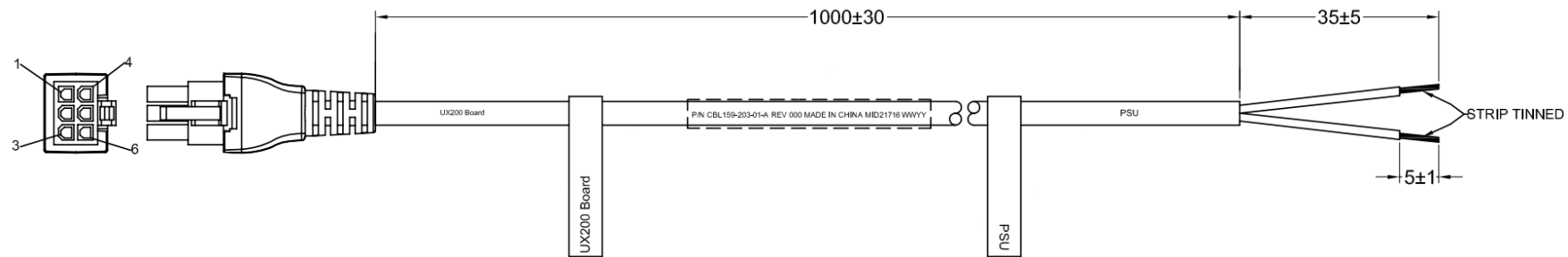
- Splitter:
<https://www.trendnet.com/products/industrial/Industrial-Gigabit-UPoE-Splitter-TI-SG104>



Verifone[®]

Obsolete

- Power Cable: CBL159-203-01-A



- 24v Industrial PSU: CPS12490-4A-R

